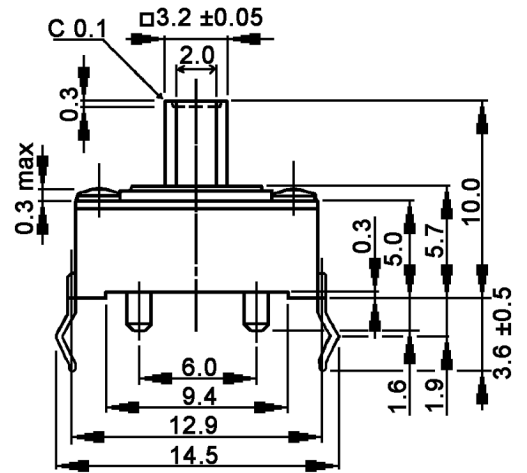
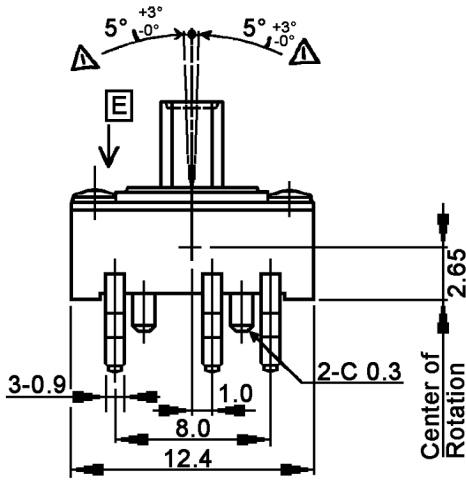
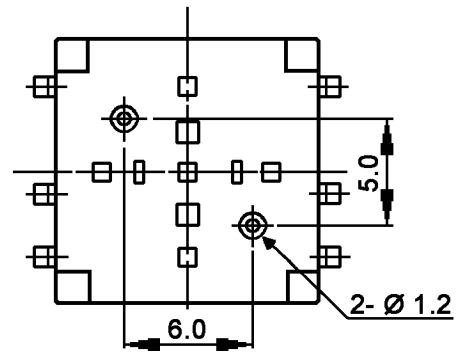
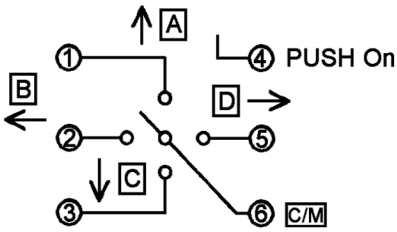
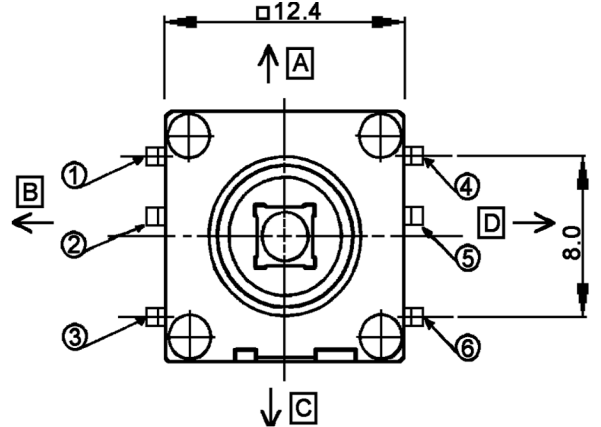
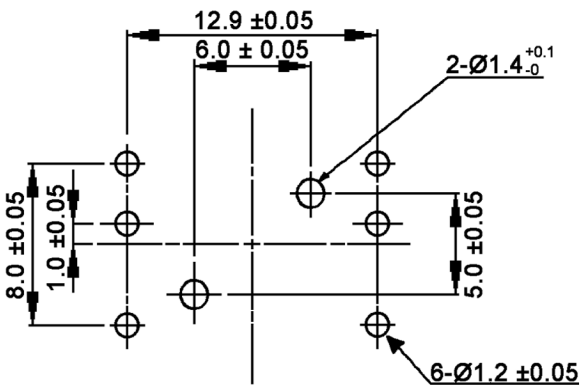


CIRCUIT DIAGRAM



P.C. LAYOUT



Specification:

- Contact rating: 15V DC, 20mA
- Contact resistance: 100mOhm max
- Insulation resistance: 100MOhm min
- Dielectric strength: 100V AC for the duration of 1 minute
- Operating temperature: -25°C to +70°C
- Operating force: center push: 350gf +100gf/-50gf  
4-directional: 250gf + 70gf/-50gf
- Operating travel: lever: 5 +3 -1  
push: 0,25 ±0,2 mm

Direction	Connection
A	1 - 6
B	2 - 6
C	3 - 6
D	5 - 6
E (push)	4 - 6



Tolerances: ±0.3mm	Date	Name
	07/04	us
General tolerances	10/10	dr
Modifications	Date	Name

TSJ 31

30 04 64

Page

1/1

knitter-switch